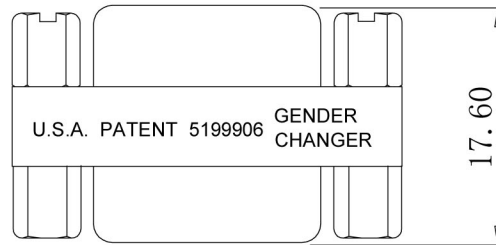
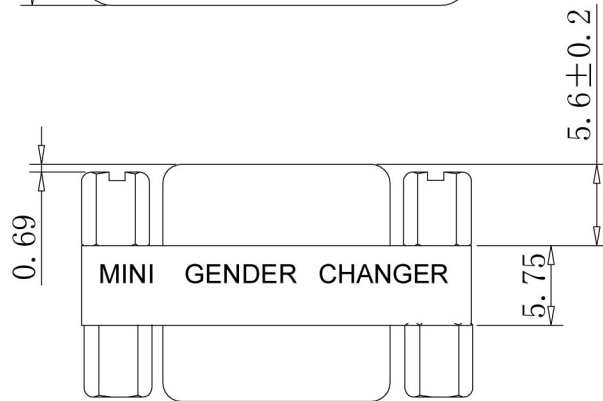
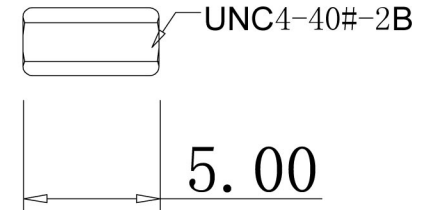
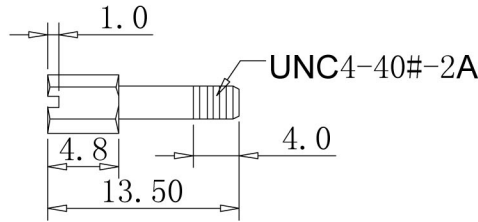
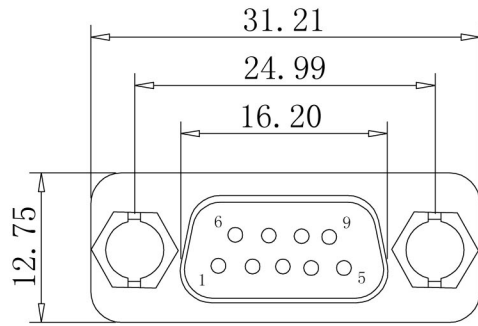


REVISIONS

SYM	ECNNO	DESCRIPTION	DATE	APPROVED



Specification:

Rating Current: 3 AMP

Insulation Resistance: 1000M Ohm min. at 500V DC

Dielectric Strength: 1000V AC for one minute.

Temperature: -55°C~+105°C

Contact: Brass Gold flash over Nickel Plated

Shell: SPCC Nickel Plated

Insulator: PBT+30%GF UL94V-0 Blue

Screw: Steel 12L14 Nickel Plated

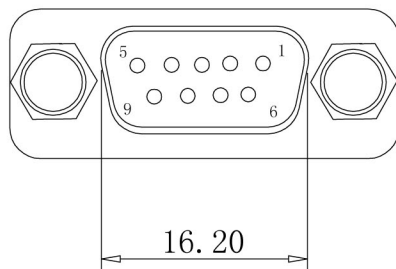
Label: Yellow color black character

One Side: MINI GENER CHANGER

Other Side: U.S.A PATENT 519906 GENDER CHANGER

PIN ASSIGNMENT

DB9F	DB9F
1	1
2	2
3	3
4	4
5	5
6	6
7	7
8	8
9	9



± 0.3

Show Me
CABLES
an INFINITI® brand

APPROVED		DATE	2008/11/18	SCALE	
CHECKED	pandao	DWG NO	T003	ANGLE	
DESIGNED	pandao	UNIT	MM		
Title: DB9 Female to DB9 Female Low Profile Gender					DB9F/F
				Part No:	3204